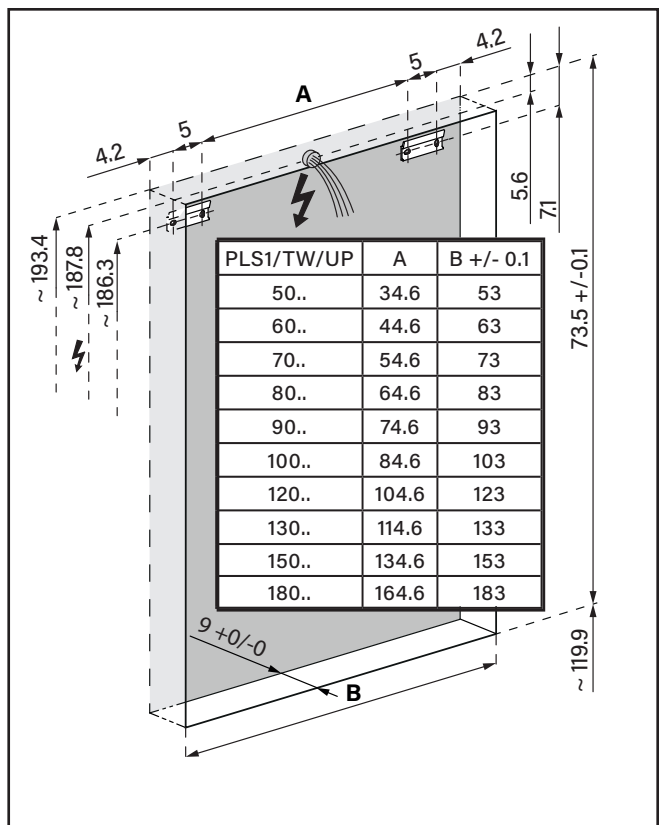
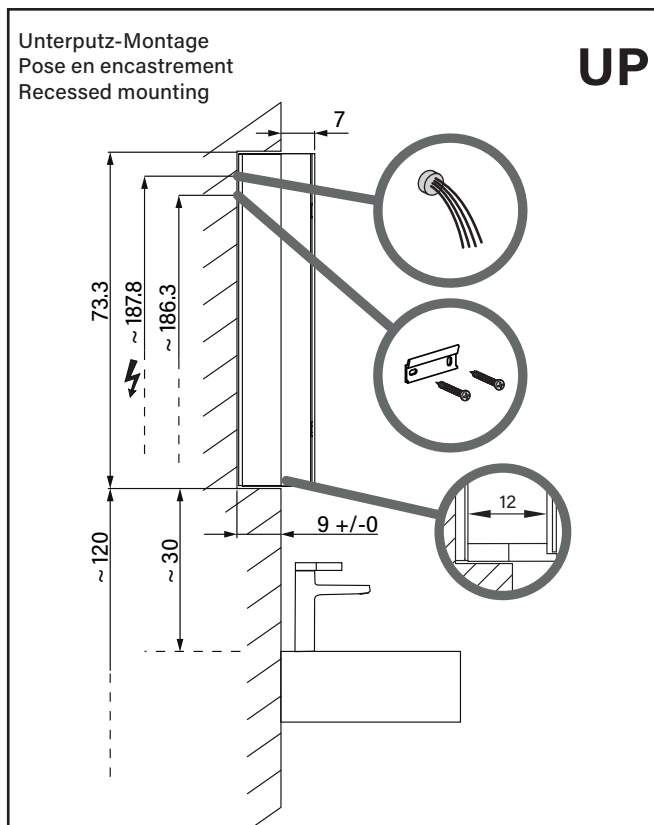
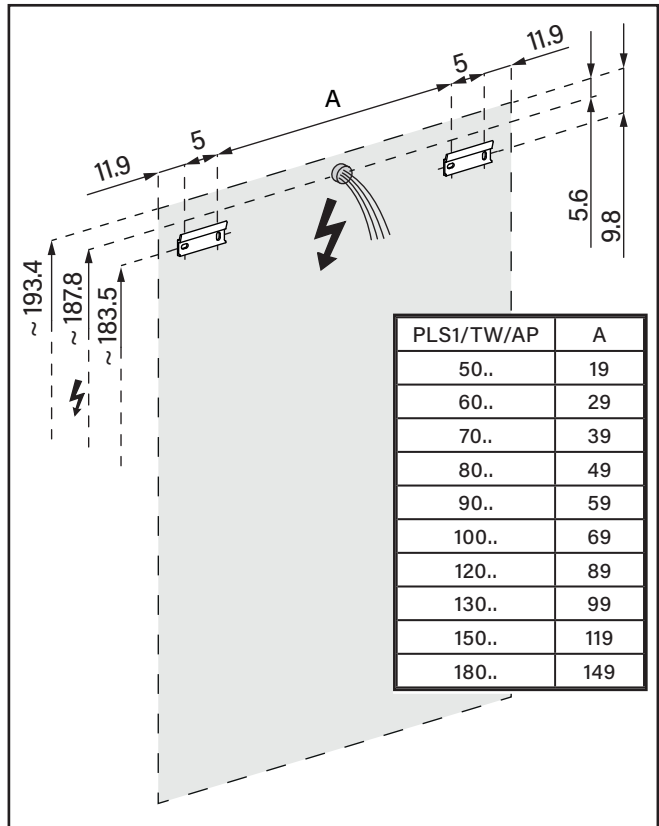
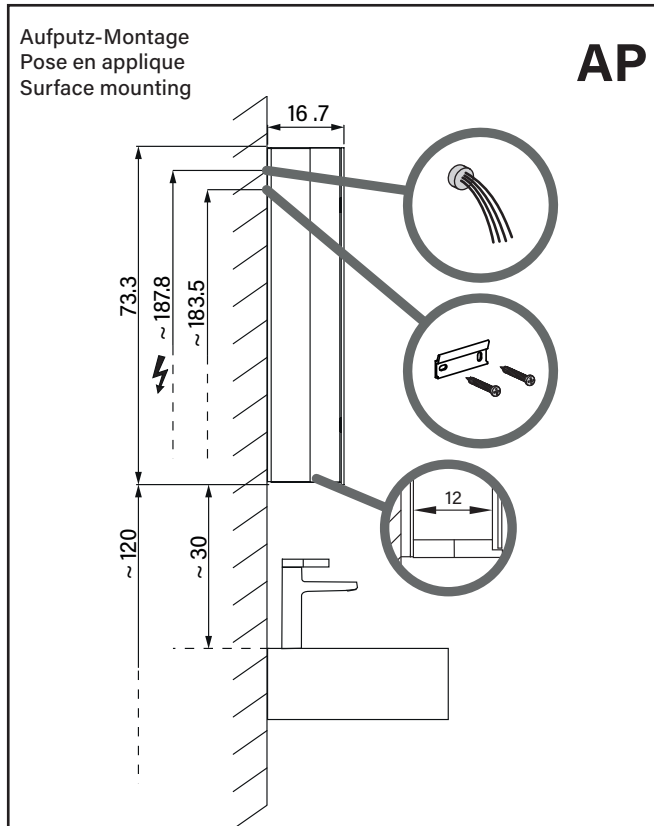


# PREMIUM Line Superior TW

Massblatt  
Fiche de mesure  
Dimensioned sketch

|                                |  |  |              |
|--------------------------------|--|--|--------------|
| <b>LED</b><br>2000 -<br>6500 K |  |  | <b>IP 44</b> |
|--------------------------------|--|--|--------------|



# PREMIUM *Line Superior TW*

Massblatt  
Fiche de mesure  
Dimensioned sketch

|                    |                      |                    |
|--------------------|----------------------|--------------------|
|                    | 181.051; 052         | 181.061; 062       |
|                    | PLS1 50/1/TW/L; /R   | PLS1 60/1/TW/L; /R |
|                    | LED 1 x 32W / 4900lm | 1 x 35W / 5400lm   |
|                    | A 52.8               | 62.8               |
|                    | B 47.1               | 57.1               |
|                    | C 50 (1x)            | 60 (1x)            |
| D 11.1 x 46.4 (2x) | 11.1 x 56.4 (2x)     |                    |

|                    |                      |                  |                  |
|--------------------|----------------------|------------------|------------------|
|                    | 181.063; 064         | 181.070          | 181.080          |
|                    | PLS1 60/2/TW/L; /R   | PLS1 70/2/TW     | PLS1 80/2/TW     |
|                    | LED 1 x 35W / 5400lm | 1 x 37W / 5800lm | 1 x 40W / 6300lm |
|                    | A 62.8               | 72.8             | 82.8             |
|                    | B 57.1               | 67.1             | 77.1             |
|                    | C 30 (2x)            | 35 (2x)          | 40 (2x)          |
| D 11.1 x 56.4 (2x) | 11.1 x 66.4 (2x)     | 11.1 x 76.4 (2x) |                  |

|                    |                      |                  |
|--------------------|----------------------|------------------|
|                    | 181.090              | 181.100          |
|                    | PLS1 90/2/TW         | PLS1 100/2/TW    |
|                    | LED 1 x 43W / 6700lm | 1 x 46W / 7200lm |
|                    | A 92.8               | 102.8            |
|                    | B 42.8               | 47.8             |
|                    | C 45 (2x)            | 50 (2x)          |
| D 11.1 x 42.1 (4x) | 11.1 x 47.1 (4x)     |                  |

# PREMIUM *Line Superior TW*

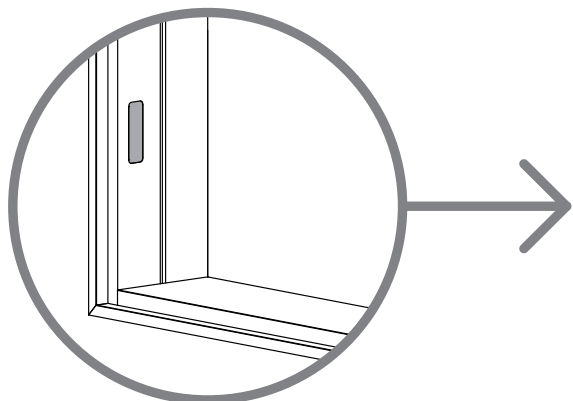
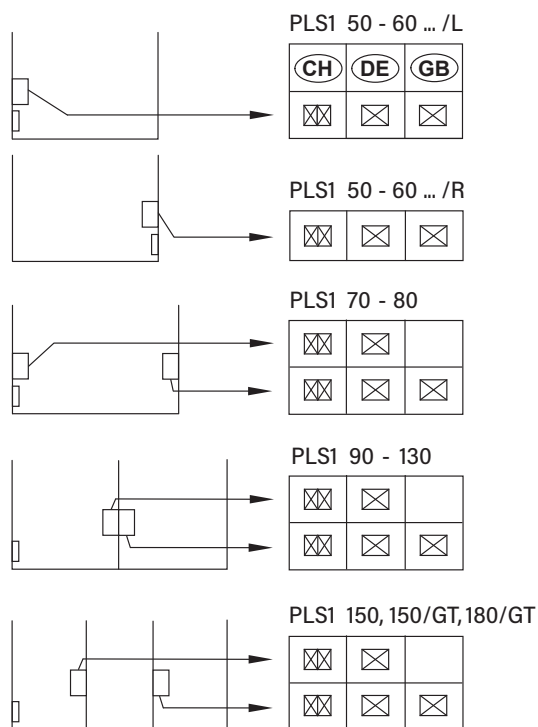
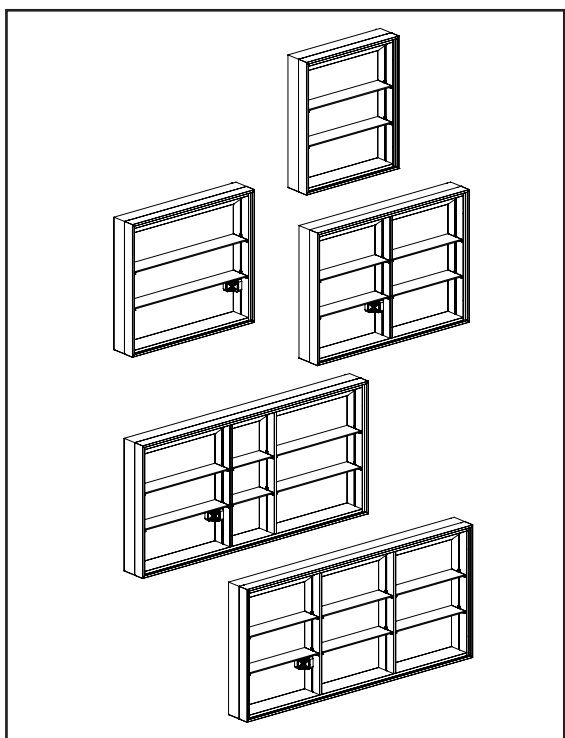
Massblatt  
Fiche de mesure  
Dimensioned sketch

|   |                      |                  |         |
|---|----------------------|------------------|---------|
|   | 181.120              | 181.130          |         |
|   | PLS1 120/2/TW        | PLS1 130/2/TW    |         |
|   | LED 1 x 52W / 8000lm | 1 x 55W / 8500lm |         |
|   | A                    | 122.8            | 132.8   |
|   | B                    | 57.8             | 62.8    |
|   | C                    | 60 (2x)          | 65 (2x) |
| D | 11.1 x 57.1 (4x)     | 11.1 x 62.1 (4x) |         |

|   |                      |                   |
|---|----------------------|-------------------|
|   | 181.150              |                   |
|   | PLS1 150/3/TW        |                   |
|   | LED 1 x 60W / 9400lm |                   |
|   | A                    | 152.8             |
|   | B                    | 57.8              |
|   | C                    | 28.5              |
|   | D                    | 60 (2x) / 30 (1x) |
|   | E                    | 11.1 x 57.1 (4x)  |
| F | 11.1 x 27.8 (2x)     |                   |

|  |                      |                   |                  |
|--|----------------------|-------------------|------------------|
|  | 181.151              | 181.180           |                  |
|  | PLS1 150/3/GT/TW     | PLS1 180/3/GT/TW  |                  |
|  | LED 1 x 60W / 9400lm | 1 x 69W / 10800lm |                  |
|  | A                    | 152.8             | 182.8            |
|  | B                    | 47.8              | 57.8             |
|  | C                    | 48.5              | 58.5             |
|  | D                    | 50 (3x)           | 60 (3x)          |
|  | E                    | 11.1 x 47.1 (4x)  | 11.1 x 57.1 (4x) |
|  | F                    | 11.1 x 47.8 (2x)  | 11.1 x 57.8 (2x) |

## Steckdosen & Lichtsteuerung Prises & commandes de lumière Sockets & lighting controls



EIN/AUS, ON/OFF

dimmbar, dimmable

2000 - 6500 K

Arbeiten an elektrischen Anlagen dürfen nur von autorisierten Fachleuten nach den örtlichen Vorschriften ausgeführt werden.

Les travaux à l'installation électrique ne doivent être effectués que par des spécialistes autorisés selon les prescriptions locales.

Electric installation work may only be carried out by approved specialists according to the local regulations.



Genauere Angaben über Ausführung und Ausrüstung entnehmen Sie der entsprechenden Preis- und Typenliste. Änderungen vorbehalten.

Veillez prendre de plus amples information en ce qui concerne l'équipement de notre liste des prix et des modèles correspondante. Sous réserve de modifications.

For further information as equipment details please refer to our corresponding price and model list. Alterations are reserved.