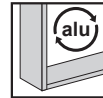
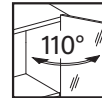


OBJECT Line Superior LED

Massblatt
Fiche de mesure
Dimensioned sketch

LED
4000 K

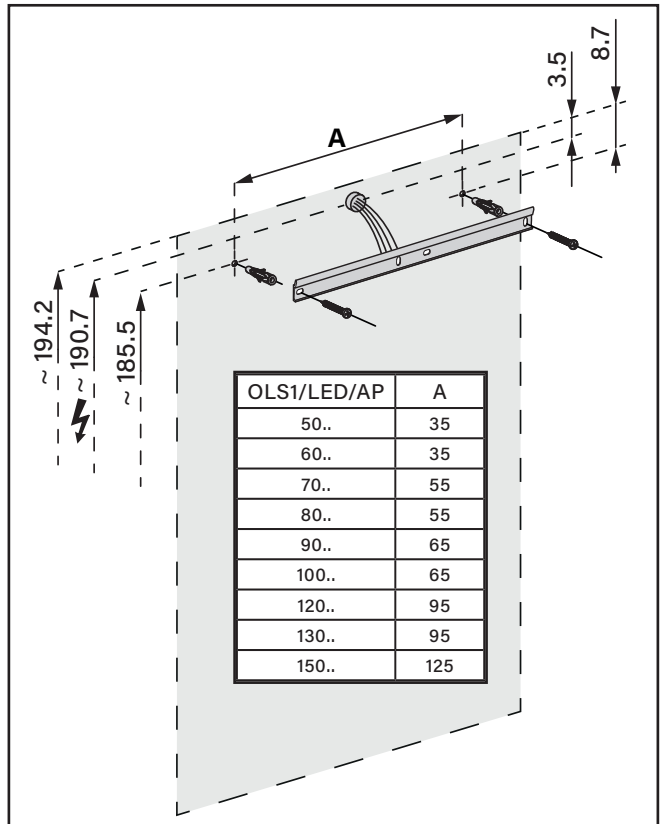
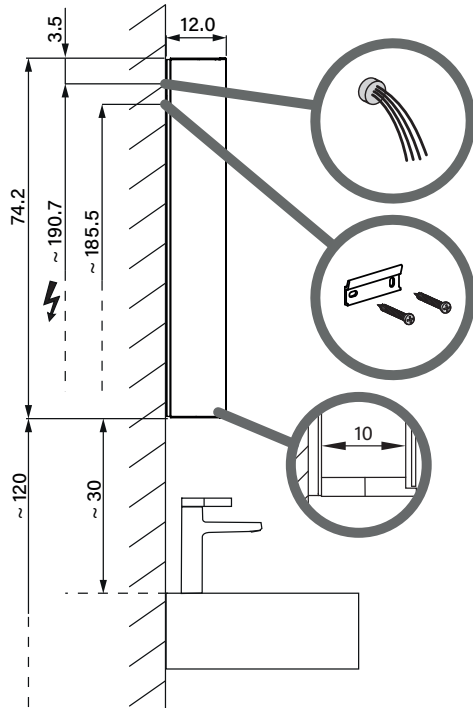
LED
3000 K



IP 44

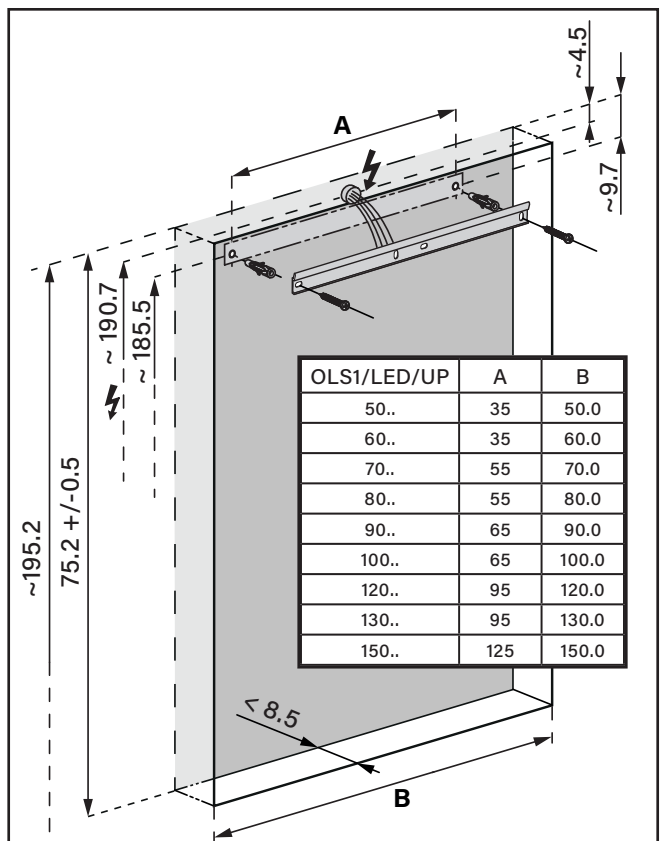
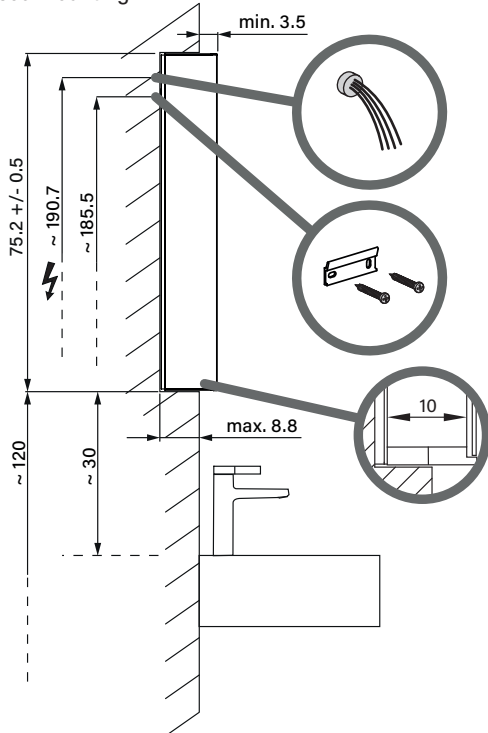
Aufputz-Montage
Pose en applique
Surface mounting

AP



Unterputz-Montage
Pose en encastré
Recessed mounting

UP



OBJECT *Line Superior LED*

Massblatt
Fiche de mesure
Dimensioned sketch

| | | | |
|---|----------------------------|----------------------------|--------------------|
| | 205.051 (L) 205.052 (R) | 205.061 (L) 205.062 (R) | |
| | OLS150/1/LED/L../R | | OLS160/1/LED/L../R |
| | LED | 2 x 8.2W / 2206lm | 2 x 10W / 2696lm |
| | A | 49.5 | 59.5 |
| | B | 47.1 | 57.1 |
| | C | 50 (1x) | 60 (1x) |
| D | 8.4 x 46.4 (2x) | 8.4 x 56.4 (2x) | |

| | | | | |
|---|----------------------------|------------------|--------------------|--------------------|
| | 205.063 (L) 205.064 (R) | 205.070 | 205.080 | |
| | OLS160/2/LED/L../R | | OLS170/2/LED | OLS180/2/LED |
| | LED | 2 x 10W / 2696lm | 2 x 11.9W / 3186lm | 2 x 13.7W / 3676lm |
| | A | 59.5 | 69.5 | 79.5 |
| | B | 57.1 | 67.1 | 77.1 |
| | C | 30 (2x) | 35 (2x) | 40 (2x) |
| D | 8.4 x 56.4 (2x) | 8.4 x 66.4 (2x) | 8.4 x 76.4 (2x) | |

| | | | |
|---|-----------------|--------------------|--------------------|
| | 205.090 | 205.100 | |
| | OLS190/2/LED | | OLS1100/2/LED |
| | LED | 2 x 15.5W / 4166lm | 2 x 17.3W / 5056lm |
| | A | 89.5 | 99.5 |
| | B | 87.1 | 97.1 |
| | C | 45 (2x) | 50 (2x) |
| D | 8.4 x 86.4 (2x) | 8.4 x 96.4 (2x) | |

OBJECT *Line Superior LED*

Massblatt
Fiche de mesure
Dimensioned sketch

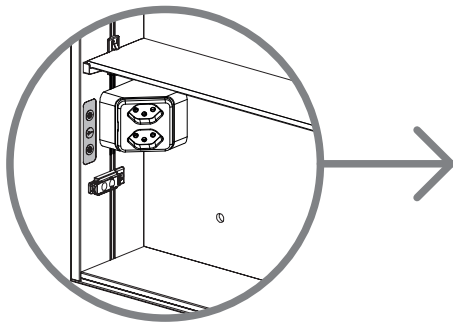
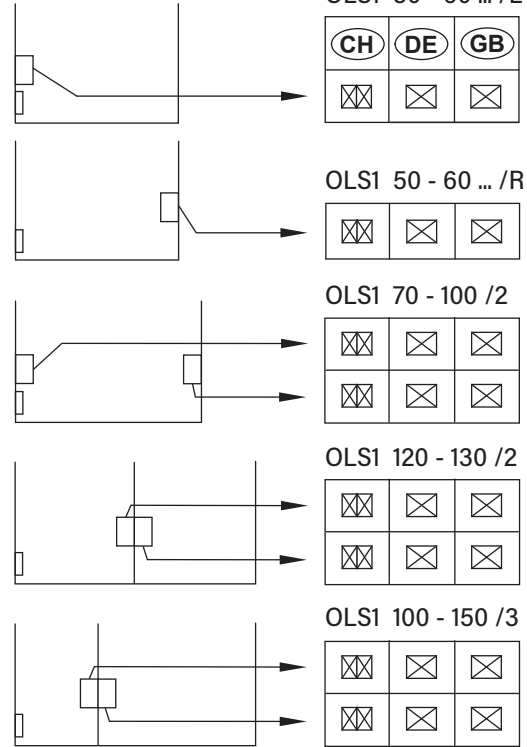
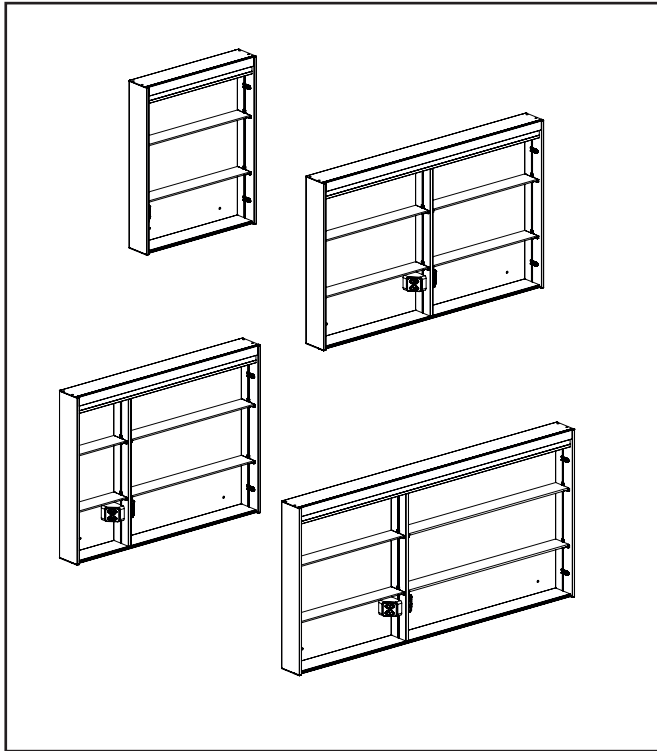
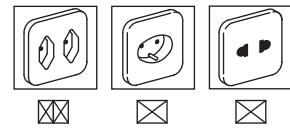
| | | | | |
|--|----------------|------------------|--------------------|--|
| | 205.120 | 205.130 | | |
| | OLS1 120/2/LED | OLS1 130/2/LED | | |
| | LED | 2 x 21W / 5636lm | 2 x 22.8W / 6126lm | |
| | A | 119.5 | 129.5 | |
| | B | 57.8 | 62.8 | |
| | D | 8.4 x 57.1 (4x) | 8.4 x 62.1 (4x) | |

| | | | | |
|---|-----------------|--------------------|------------------|--|
| | 205.101 | 205.121 | | |
| | OLS1 100/3/LED | OLS1 120/3/LED | | |
| | LED | 2 x 17.3W / 5056lm | 2 x 21W / 5636lm | |
| | A | 99.5 | 119.5 | |
| | B | 67.8 | 87.8 | |
| | C | 27.8 | 27.8 | |
| | D | 30 (2x) | 30 (2x) | |
| | E | 40 (1x) | 60 (1x) | |
| | F | 8.4 x 67.1 (2x) | 8.4 x 87.1 (2x) | |
| G | 8.4 x 27.1 (2x) | 8.4 x 27.1 (2x) | | |

| | | | | |
|---|-----------------|--------------------|--|--|
| | 205.150 | | | |
| | OLS1 150/3/LED | | | |
| | LED | 2 x 26.4W / 7106lm | | |
| | A | 149.5 | | |
| | B | 57.8 | | |
| | C | 27.8 | | |
| | D | 60 (2x) | | |
| | E | 30 (1x) | | |
| | F | 8.4 x 87.1 (2x) | | |
| G | 8.4 x 27.1 (2x) | | | |

OBJECT Line Superior LED

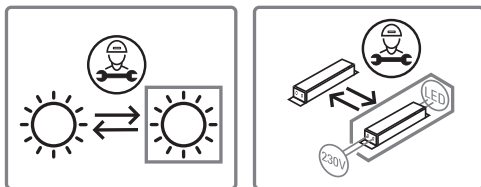
Steckdosen & Lichtsteuerung
Prises & commandes de lumière
Sockets & lighting controls



Lichtquelle oben: Ein / Aus
Illumination supérieure: Allumer / éteindre
Upper lighting: On / Off

Helligkeit Dimmen + / - (halten)
Brillance varier l'intensité lumineuse + / - (tenir)
Brightness Dim + / - (hold)

Lichtquelle unten Ein / Aus
Illumination inférieure Allumer / éteindre
Lower lighting On / Off



Enthält Leuchtmittel der Energie-Effizienzklasse:
Contient des sources lumineuses de la classe d'efficacité énergétique:
Contains light sources of the energy efficiency class:



Arbeiten an elektrischen Anlagen dürfen nur von autorisierten Fachleuten nach den örtlichen Vorschriften ausgeführt werden.

Les travaux à l'installation électrique ne doivent être effectués que par des spécialistes autorisés selon les prescriptions locales.

Electric installation work may only be carried out by approved specialists according to the local regulations.



Genauere Angaben über Ausführung und Ausrüstung entnehmen Sie der entsprechenden Preis- und Typenliste. Änderungen vorbehalten.

Veillez prendre de plus amples information en ce qui concerne l'équipement de notre liste des prix et des modèles correspondante. Sous réserve de modifications.

For further information as equipment details please refer to our corresponding price and model list. Alterations are reserved.

Schneider
my ultimate mirror experience