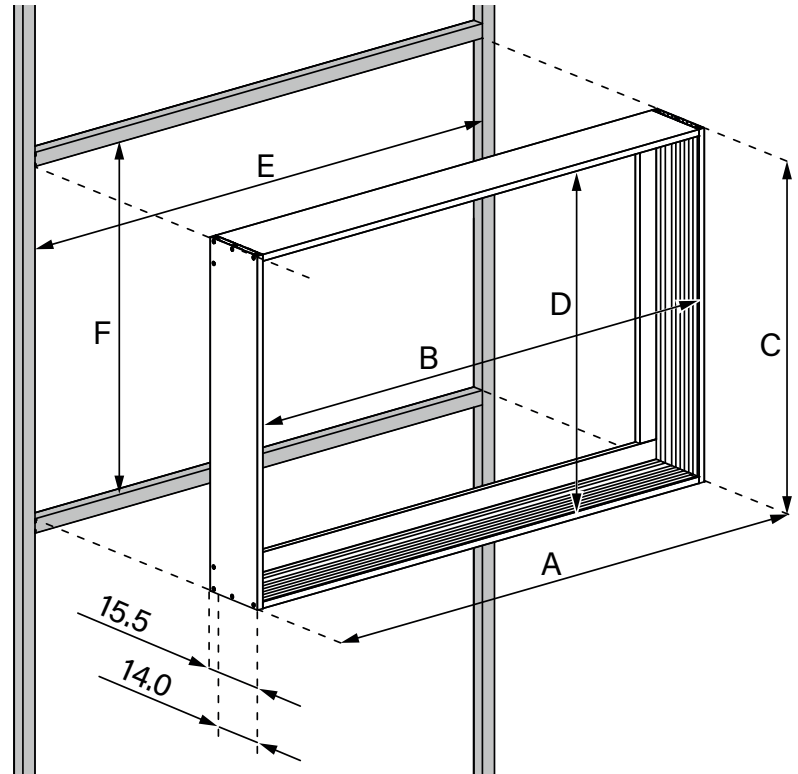
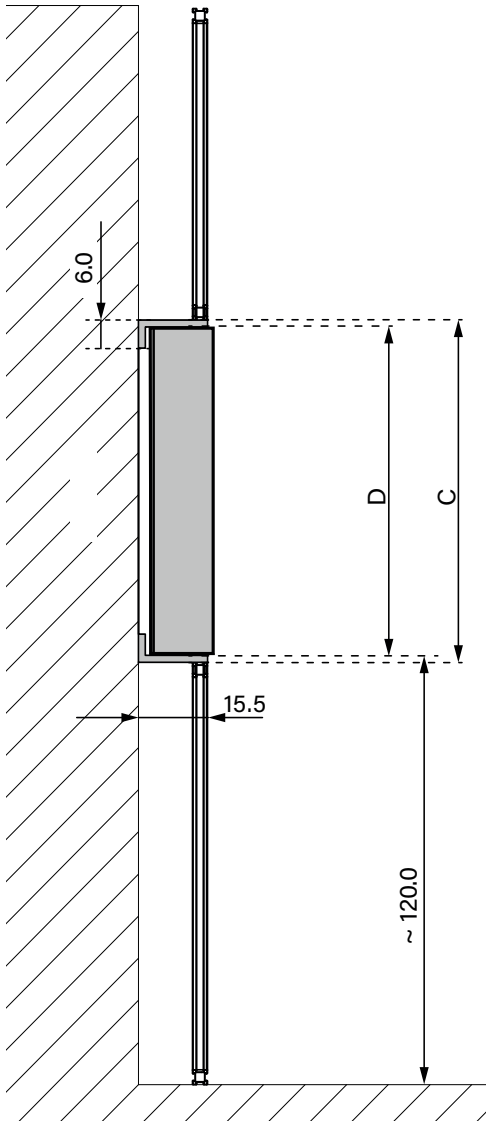


EINBAURAHMEN *Universal 15*

Massblatt
Fiche de mesure
Dimensioned sketch

Vorwand-Montage
Fixation sur le support de montage
Front-wall installation

UP



Rahmen	A	B	C	D
E713-15 50..	53.0	50.0	74.8	71.8
E713-15 60..	63.0	60.0	74.8	71.8
E713-15 70..	73.0	70.0	74.8	71.8
E713-15 80..	83.0	80.0	74.8	71.8
E713-15 90..	93.0	90.0	74.8	71.8
E713-15 100..	103.0	100.0	74.8	71.8
E713-15 120..	123.0	120.0	74.8	71.8
E713-15 130..	133.0	130.0	74.8	71.8
E713-15 140..	143.0	140.0	74.8	71.8
E713-15 150..	153.0	150.0	74.8	71.8
E713-15 160..	163.0	160.0	74.8	71.8
E713-15 180..	183.0	180.0	74.8	71.8

Rahmen	A	B	C	D
E742-15 50..	53.0	50.0	77.7	74.7
E742-15 60..	63.0	60.0	77.7	74.7
E742-15 70..	73.0	70.0	77.7	74.7
E742-15 80..	83.0	80.0	77.7	74.7
E742-15 90..	93.0	90.0	77.7	74.7
E742-15 100..	103.0	100.0	77.7	74.7
E742-15 120..	123.0	120.0	77.7	74.7
E742-15 130..	133.0	130.0	77.7	74.7
E742-15 140..	143.0	140.0	77.7	74.7
E742-15 150..	153.0	150.0	77.7	74.7
E742-15 160..	163.0	160.0	77.7	74.7
E742-15 180..	183.0	180.0	77.7	74.7

Nischengröße E x F ist bauseits zu bestimmen.

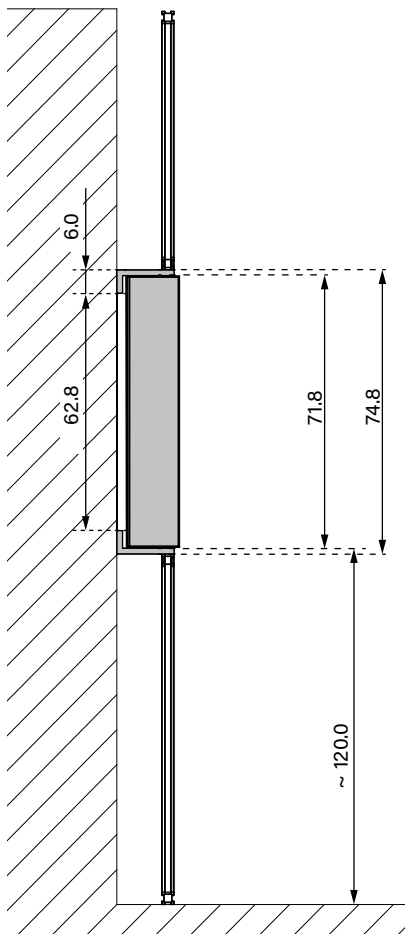
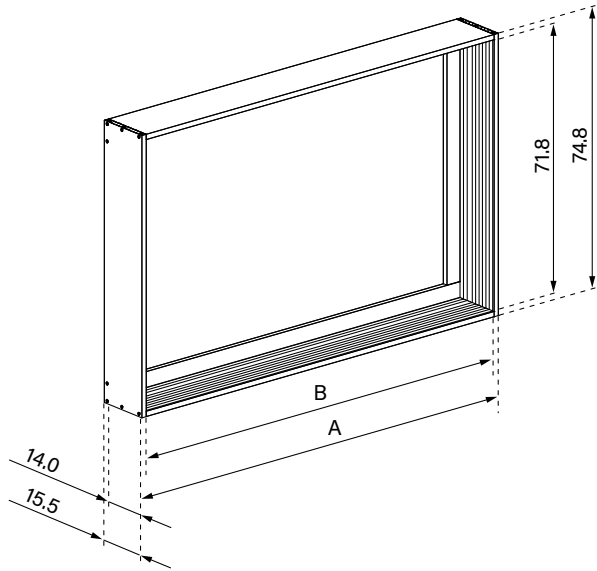
la taille de la niche E x F doit être déterminée par le client.

the recess dimensions E x F will need to be determined on site.

EINBAURAHMEN *Universal 15*

Massblatt
Fiche de mesure
Dimensioned sketch

E713-15



	199.050.00.00	199.060.00.00	199.070.00.00
	E713-15 50	E713-15 60	E713-15 70
A	53.0	63.0	73.0
B	50.0	60.0	70.0

	199.080.00.00	199.090.00.00	199.100.00.00
	E713-15 80	E713-15 90	E713-15 100
A	83.0	93.0	103.0
B	80.0	90.0	100.0

	199.120.00.00	199.130.00.00	199.140.00.00
	E713-15 120	E713-15 130	E713-15 140
A	123.0	133.0	143.0
B	120.0	130.0	140.0

	199.150.00.00	199.160.00.00	199.180.00.00
	E713-15 150	E713-15 160	E713-15 180
A	153.0	153.0	183.0
B	150.0	160.0	180.0

EINBAURAHMEN *Universal 15*

Massblatt
Fiche de mesure
Dimensioned sketch

