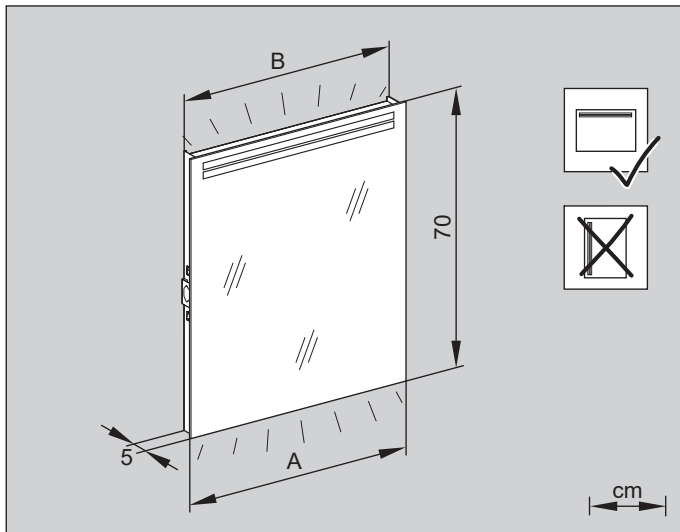
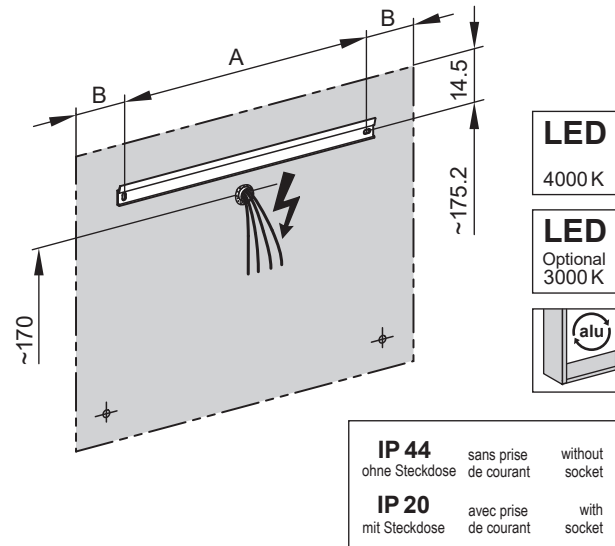
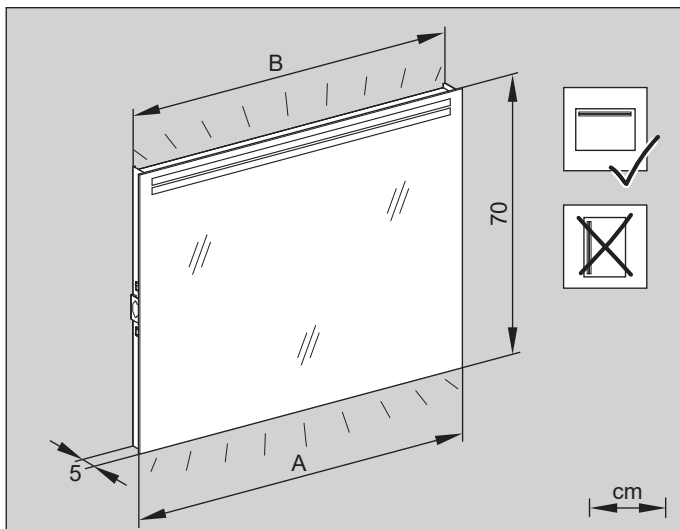


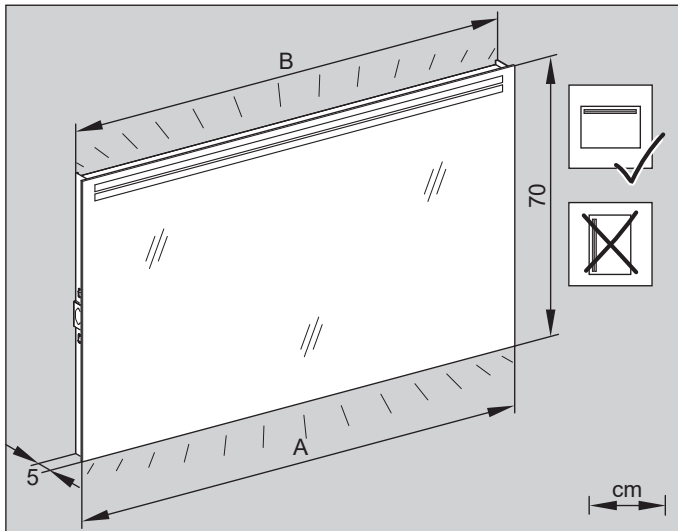
ARA/SP	A	B	ARA/SP/SH	A	B
50..	35	(8.25)	120..	95	(13.25)
60..	35	(13.25)	130..	95	(18.25)
70..	55	(8.25)	140..	95	(23.25)
80..	55	(13.25)	150..	125	(13.25)
90..	65	(13.25)	160..	125	(18.25)
100..	65	(18.25)	180..	125	(28.25)

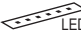


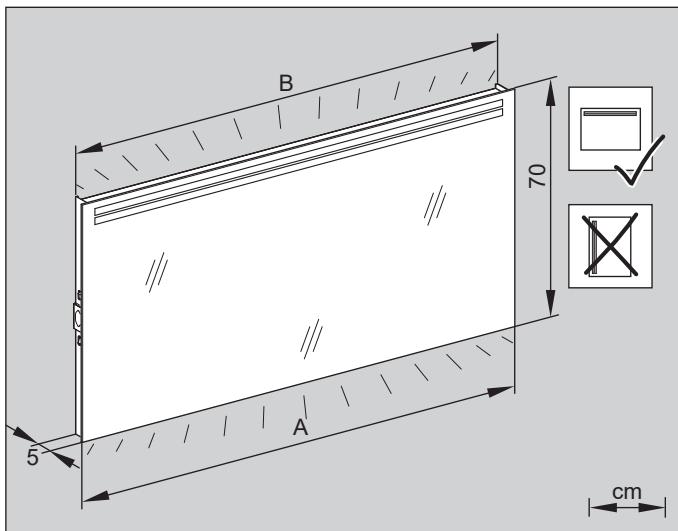
	160.250; 251	160.260; 261	160.270; 271
	ARA/SP 50/LED; /SD	ARA/SP 60/LED; /SD	ARA/SP 70/LED; /SD
LED	2 x 10.6W 2 x 1274 lm	2 x 12.9W 2 x 1557 lm	2 x 15.3W 2 x 1840 lm
A	51.5	61.5	71.5
B	46.8	56.8	66.8




	160.280; 281	160.290; 291	160.300; 301
	ARA/SP 80/LED; /SD	ARA/SP 90/LED; /SD	ARA/SP 100/LED; /SD
LED	2 x 17.6W 2 x 2124 lm	2 x 20.0W 2 x 2407 lm	2 x 22.3W 2 x 2690 lm
A	81.5	91.5	101.5
B	76.8	86.8	96.8



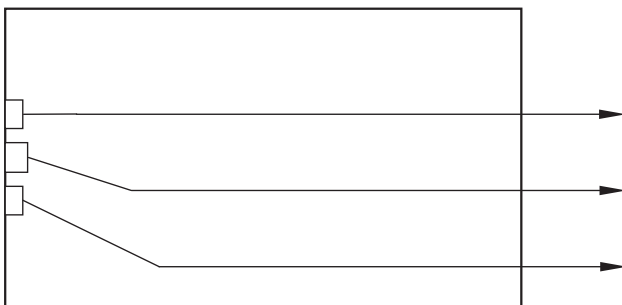
	160.320; 321	160.330; 331	160.340; 341
	ARA/SP 120/LED; /SD	ARA/SP 130/LED; /SD	ARA/SP 140/LED; /SD
	2 x 27.0W 2 x 3256 lm	2 x 29.4W 2 x 3540 lm	2 x 31.8W 2 x 3823 lm
A	121.5	131.5	141.5
B	116.8	126.8	136.8






	160.350; 351	160.360; 361	160.380; 381
	ARA/SP 150/LED; /SD	ARA/SP 160/LED; /SD	ARA/SP 180/LED; /SD
	2 x 34.1W 2 x 4106 lm	2 x 36.5W 2 x 4389 lm	2 x 41.2W 2 x 4956 lm
A	151.5	151.5	151.5
B	146.8	146.8	146.8



Rahmen in der Montage um 180° drehbar.
Cadre pivotant de 180° lors du montage.
Frame can be rotated by 180° during assembly.



	CH	DE	GB
	<input checked="" type="checkbox"/>	<input checked="" type="checkbox"/>	<input checked="" type="checkbox"/>
	<input type="checkbox"/>	<input checked="" type="checkbox"/>	<input type="checkbox"/>
	<input checked="" type="checkbox"/>	<input checked="" type="checkbox"/>	<input checked="" type="checkbox"/>

/SD



Arbeiten an den elektrischen Anlagen dürfen nur von autorisierten Fachleuten nach den örtlichen Vorschriften ausgeführt werden.

Les travaux à l'installation électrique ne doivent être effectués que par des spécialistes autorisés selon les prescriptions locales.

Electric installation work may only be carried out by approved specialists according to the local regulations.



Genauere Angaben über Ausführung und Ausrüstung entnehmen Sie der entsprechenden Preis- und Typenliste. Änderungen vorbehalten.

Veuillez prendre de plus amples information en ce qui concerne l'équipement de notre liste des prix et des modèles correspondante. Sous réserve de modifications.

For further information as equipment details please refer to our corresponding price and model list. Alterations are reserved.